

Spinner

Visual Flow Indicator

Flow-Mon's Spinner, the latest design of low cost, 'entry level' Flow Indicator. This robust indicator out performs other spinner instruments by a considerable margin. When calibrated flow indicators are not needed, this single sided indicator will satisfy most requirements within pipe sizes 8mm to 40mm.

The Flow-Mon Spinner starts to rotate once flow has commenced, this can be from as low as 0.7lpm. The exceptional ratio between maximum and minimum flow is achieved by carefully tolerated manufacture. This spinner design can be mounted both horizontal and vertical, offering bi-directional flow indication with low pressure losses.

When operators require a visual confirmation in their pipework for lubrication and coolant flow, this simple Spinner can provide a cost effective solution for plant protection.

Including one of these inexpensive fittings to pipework on a power-plant may save thousands of pounds in downtime and bearing or pump impeller replacement. Add to this the safety implications resulting from plant failure and the true benefits may be fully appreciated.

Features & Benefits

- Suitable for water and other clear liquids and gases
- 16 bar pressure and 200°C temperature capability
- Precision moulded glass dome with yellow PPS plastic spinner
- Can be used in any orientation
- Bi-directional flow
- Operates over a wide flow range
- Competitively priced
- Off the shelf deliveries
- No routine maintenance needed
- Unrivalled flow and pressure drop performance
- Manufactured in stainless steel or bronze



Applications

This flow indicator is used in plant protection applications to show lubrication or coolant flow to pumps, compressors or engines.

Applications for the Flow-Mon Spinner include:

- Early warning of overheating, bearing or seal failure
- Detecting changes in the colour and condition of liquids during processing
- Pump, compressor and diesel protection
- Ensuring that flow of cooling water is maintained to specialised welding equipment
- Indication of air entrainment

Technical Data

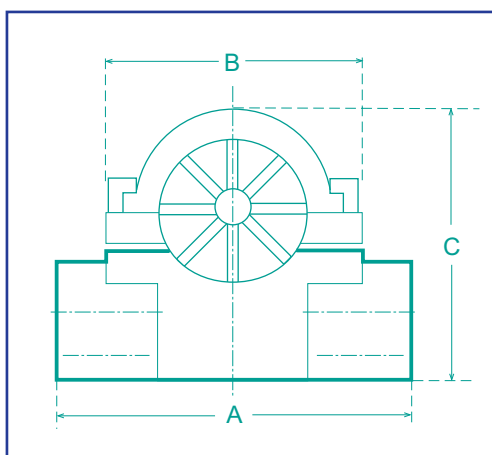
Materials:

Body	- Stainless Steel 316: ASTM-A-351-2000 GR CF8M - Bronze BS EN1982 CuSn5Zn5PB5-C-GS (formerly LG2)
Clamp Ring	-Stainless Steel or Bronze
Spinner	-PPS Plastic, 'canary yellow'
Glass Dome	-Annealed Borosilicate
'O' Ring	-Viton
Gasket	-Klingersil (C-4400) or equivalent
Fasteners	-Stainless Steel

Pressure:	-16 Bar (maximum working pressure)
Temperature:	-200°C (maximum working temperature)
Connections:	-BSP(F) parallel and NPT(F) taper

Every effort will be made to meet any special connection and seal requirements

Flow Requirements



Size	Min Flow	Max Flow	Pressure Drop - 2m/sec
mm	l/min	l/min	bar
8	0.7	30	0.14
10	0.8	40	0.16
15	1.0	55	0.22
20	1.2	90	0.19
25	1.5	140	0.50
32	4	180	0.80
40	4	200	0.90

Dimensions and Weights

Bore	Size	Weight	A' Overall Length	B' Width (Clamp)	C' Overall Height
mm	inch	kg	mm	mm	mm
8	1/4	0.68	76	63	65
10	3/8	0.65	76	63	65
15	1/2	0.62	76	63	65
20	3/4	1.25	89	63	83
25	1	1.20	89	63	83
32	1 1/4	2.4	115	75	100
40	1 1/2	2.4	115	75	100