

PADDLE WHEEL LIQUID FLOW METER HF100

Technical Data

Connection Size: 3/8", 1/2", 3/4", 1" NPT female standard

Power Supply: 3.8V to 30VDC

Output: Sink(NPN) and 4~20mA available

Material:

Housing Case-Aluminum alloy [for output 4~20mA (4-wires) only]

Body- Polypropylene, PTFE, PVDF available

Cover-Acrylic, PP, PTFE, PVDF available

Rotor-PVDF

Shaft-Ceramic

Bearings-Ceramic

Housing Protection: IP68

O-Ring: Viton

Conduit Size: 1/2" NPT(F)

Max. Temperature: 70°C

Max. Pressure: Polypropylene and PTFE: 10 kg/cm²
PVDF: 15 kg/cm²

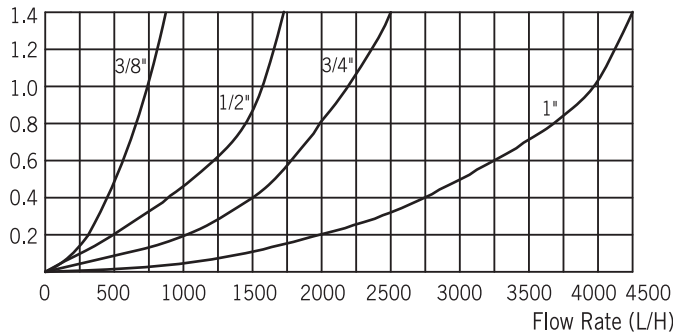
Accuracy: ±2% F.S

Range Table

SIZE	FLOW RATES (LPH)	NOMINAL FACTORS PER LITER
3/8"	20~800	398.32
1/2"	30~1400	205.32
3/4"	100~2100	150.32
1"	120~4200	61.02

Pressure Drop: 3/8"~1"

Pressure Drop

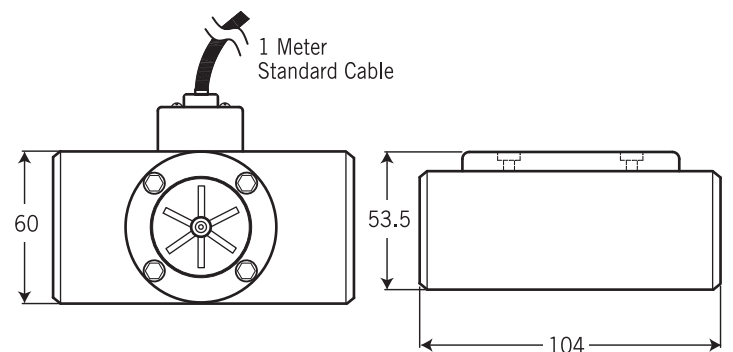


Approvals:

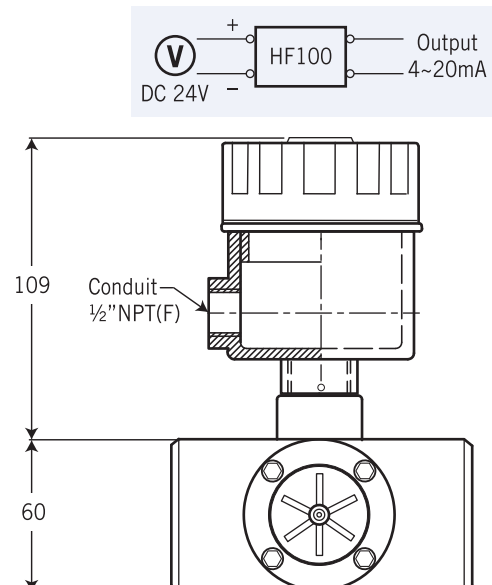


Dimensions-mm

Code 1: Sink (NPN) Output



Code 2: 4~20mA (4-wires) Output



Ordering Information

HF100	Code	Process Connection Size
		(1) 3/8" (2) 1/2" (3) 3/4" (4) 1"
	Code	Body Material
	A	Polypropylene
	B	PTFE
	C	PVDF
	Code	Cover Material
	1	Acrylic (standard)
	2	PP
	3	PTFE
	4	PVDF
	Code	Output
	1	Sink (NPN) output
	2	4~20mA output
HF100		Complete Ordering Code