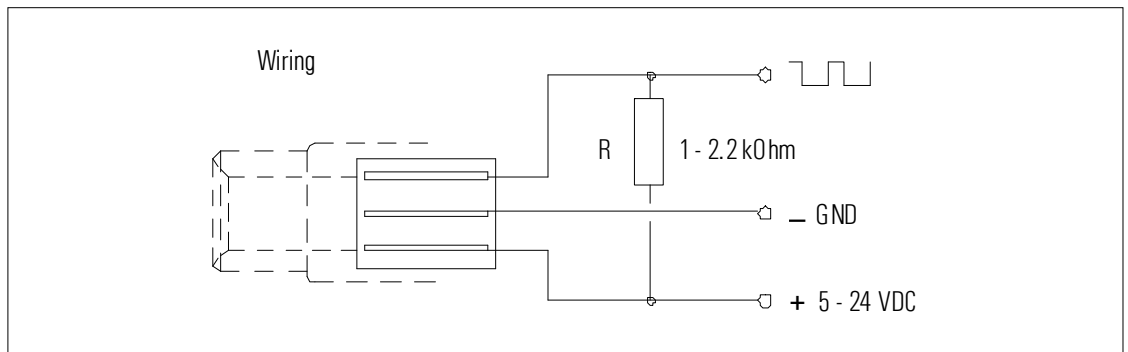


Turbine meter Type Vision® 2006/2008

Wiring diagram



Electrical connection, free cable ends 3 x AWG 24 red = plus, black = minus, brown = pulse