

# PADDLE WHEEL LIQUID FLOW METER

## HF200

### Technical Data

**Connection Size:** 1½" NPT female standard  
**Power Supply:** 3.8V to 30VDC  
**Output:** Sink(NPN) and 4~20mA available  
**Material:**  
 Housing Case-Aluminum alloy [for output 4~20mA (4-wires) only]  
 Body- Polypropylene, PVDF available  
 Cover-PP, PVDF available  
 Rotor-PVDF  
 Shaft-HC 276  
 Bearings-PVDF  
**Housing Protection:** IP68  
**O-Ring:** Viton  
**Conduit Size:** ½" NPT(F)  
**Max. Temperature:** 70°C  
**Max. Pressure:** Polypropylene: 10 kg/cm<sup>2</sup>  
 PVDF: 15 kg/cm<sup>2</sup>  
**Accuracy:** ±2% F.S

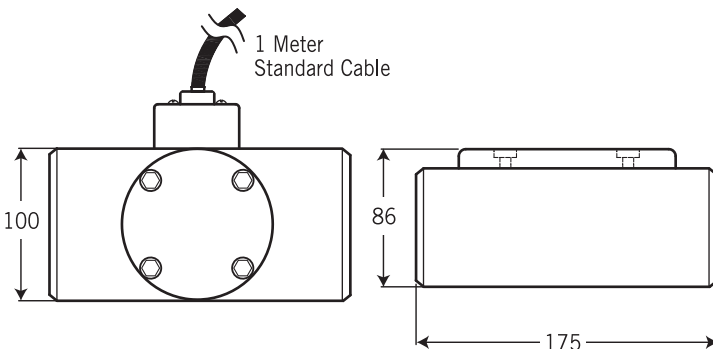


**Approvals:**

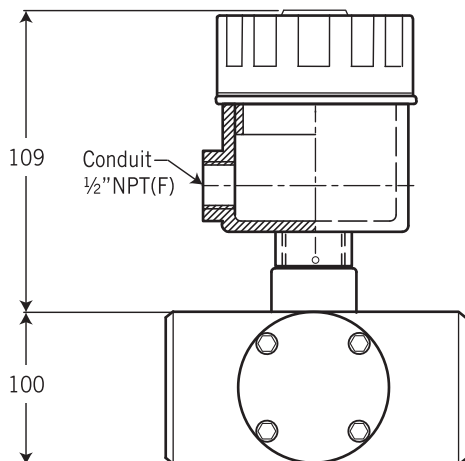
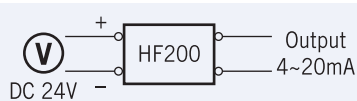


### Dimensions-mm

#### Code 1: Sink (NPN) Output



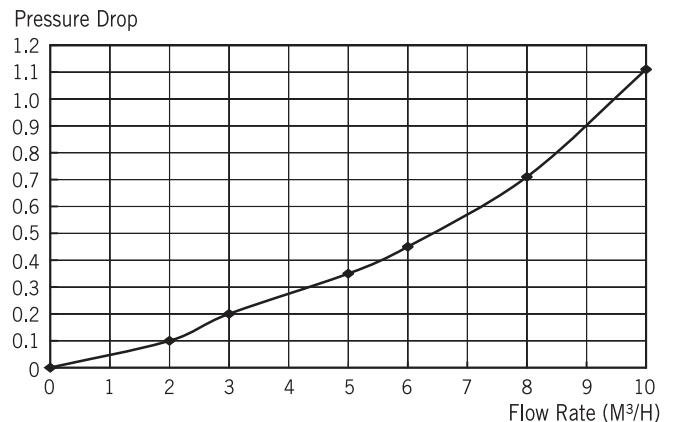
#### Code 2: 4~20mA (4-wires) Output



### Range Table

SIZE	FLOW RATES (M <sup>3</sup> /H)	NOMINAL FACTORS PER LITER
1½"	1~10	7.1

### Pressure Drop: 1½"



### Ordering Information

HF200	Code	Process Connection Size
		(1) 1½"
	<b>Code</b>	<b>Body Material</b>
	A	Polypropylene
	B	PVDF
	<b>Code</b>	<b>Cover Material</b>
	1	PP
	2	PVDF
	<b>Code</b>	<b>Output</b>
	1	Sink (NPN) output
	2	4~20mA output
HF200		Complete Ordering Code