

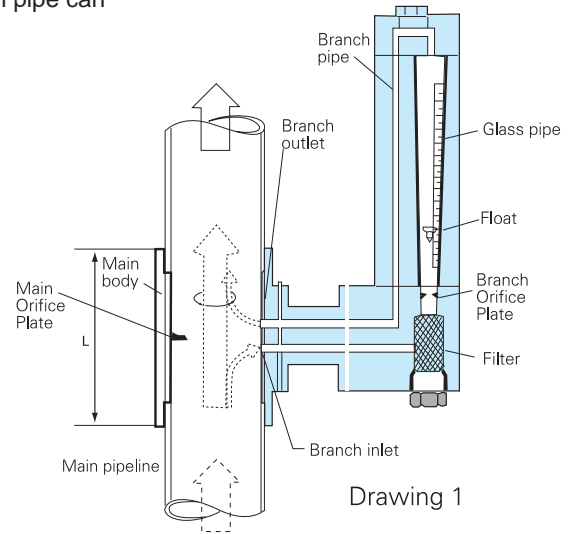
C

Illustrated as drawing 1, when the liquid pass through main hole's plate, the pressure difference between front side and back side happens, there is a respondent function relation between the pressure difference and flow speed. Installing a small rotor flowmeter on the in-outlet of branch, i.e. to make that the flow volume through small rotor flowmeter is same to the volume through main pipe, therefore the flow volume's data in main pipe can

be read through buoy position and scale on small rotor flowmeter.

The cut-off valve installed between measure pipe and indicator can make the flowmeter's take-down or repair conveniently when the main pipe is being in normal working situation.

- Temperature limit: Polyformaldehyde(POM): 0~100°C, SS304: 0~120°C
- Accuracy: ±2.5%
- Max. working pressure: 1.0MPa



Drawing 1

### Specifications

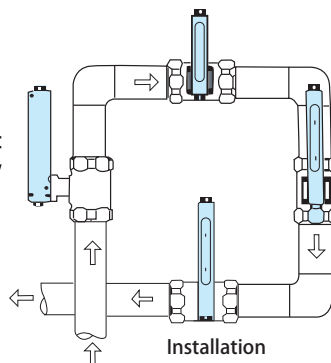
| DN(mm) | Size PSP | Measuring range          |                         |
|--------|----------|--------------------------|-------------------------|
|        |          | Water(m <sup>3</sup> /h) | Air(Nm <sup>3</sup> /h) |
| 10     | 3/8"     | 0.1~0.5                  | 0.8-4                   |
| 15     | 1/2"     | 0.2~1                    | 2-10                    |
| 20     | 3/4"     | 0.5~2.5                  | 5-25                    |
| 25     | 1"       | 1~5                      | 8-40                    |
| 32     | 1-1/4"   | 1.4~7                    | 12-60                   |
| 40     | 1-1/2"   | 2~10                     | 18-90                   |
| 50     | 2"       | 4~20                     | 35-175                  |
| 65     | 2-1/2"   | 7~35                     | 60-300                  |
| 80     | 3"       | 10~50                    | 80-400                  |
| 100    | 4"       | 18~90                    | 160-800                 |
| 125    | 5"       | 25~125                   | 250-1250                |
| 150    | 6"       | 40~200                   | 350-1700                |
| 200    | 8"       | 70~350                   | 600-2800                |
| 250    | 10"      | 100~500                  | 900-5000                |
| 300    | 12"      | 180~900                  | 1600-7800               |
| 350    | 14"      | 200~1000                 | 2000-9500               |
| 400    | 16"      | 300~1500                 | 3000-14500              |
| 450    | 18"      | 400~2000                 | 4000-19000              |
| 500    | 20"      | 500~2500                 | 5000-24000              |
| 600    | 24"      | 600~3000                 | 6000-30000              |

\* Note: We need detail datas of working pressure, working temperature, density for gas medium.

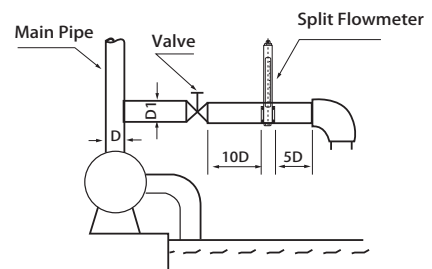
### Flow direction

The product can be changed different directions illustrated as drawing 3, the flow direction can divide as: bottom-top, left-right, right-left and top-bottom. It is easy to change flow direction on the spot.

Attention: special flow volume' specification can be customized according to technical data provided by customers.



Installation



For purpose to measure the flow speed precisely, recommend to use below straight pipe diameter:

# KF600 series





## Orifice Plate Flowmeters

For purpose to measure the flow speed precisely, recommend to use below straight pipe diameter:

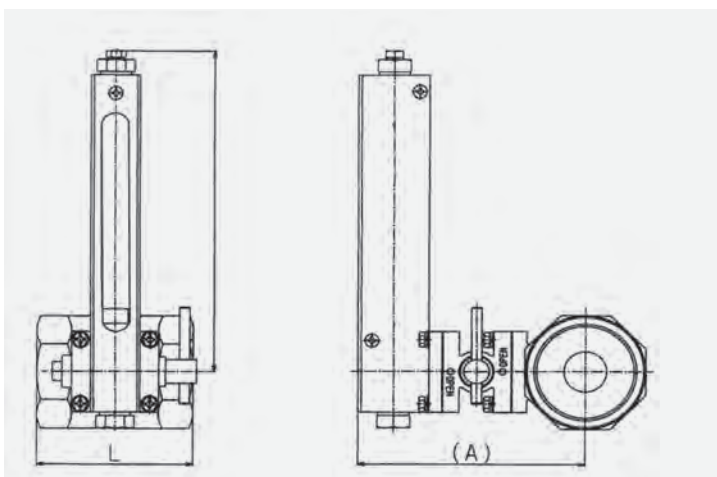
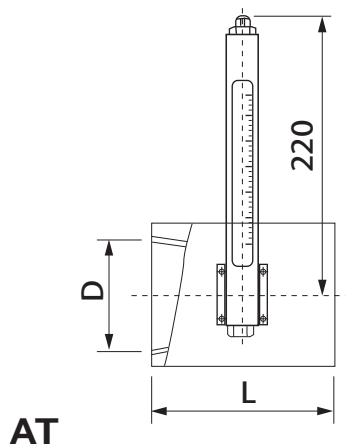
**D is main pipeline diameter**

|                             | 90°C Elbow Pipe | Opening Valve |
|-----------------------------|-----------------|---------------|
| Up straight pipe diameter   | 10D             | 12D           |
| Down straight pipe diameter | 5D              | 5D            |

### Flow direction

| Measure gas  | Indicator(for liquids)  |
|--|---|
| Center →  | Top →  |
| Metal material   | PVC material  |
| Top →     | Top →  |

### AT thread type



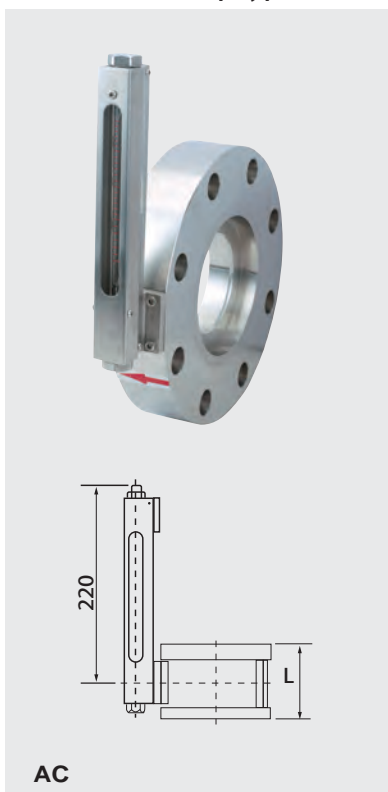
### AT Exteral dimensions Unit:(mm)

| DN  | Pipeline Material SS304 |     |            |
|-----|-------------------------|-----|------------|
|     | L                       | *A  | Weight(KG) |
| 10  | 70                      |     | 0.5        |
| 15  | 70                      |     | 0.43       |
| 20  | 70                      |     | 1.01       |
| 25  | 70                      |     | 1.2        |
| 32  | 70                      | 120 | 1.4        |
| 40  | 84                      | 120 | 1.6        |
| 50  | 80                      | 130 | 2.3        |
| 65  | 80                      | 140 | 3.1        |
| 80  | 90                      | 145 | 4.3        |
| 100 | 100                     | 160 | 6          |

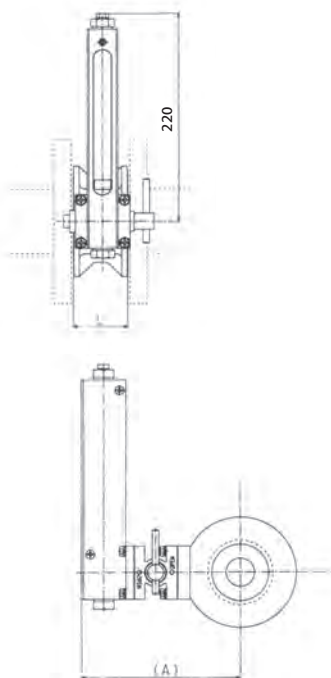
A : if without valve, then A's length need reduce 52mm

# D

AC: Clamp type



(1) Material (SS304, polyformaldehyde)

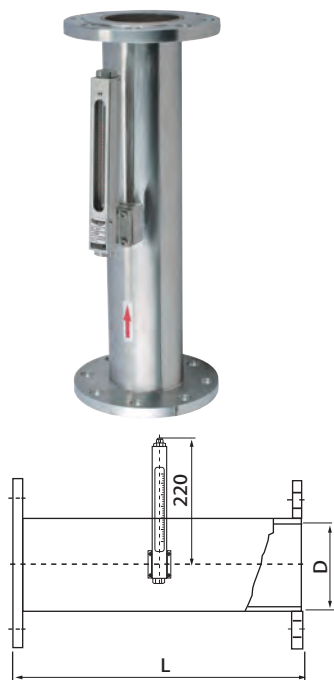


AC External dimensions Unit: (mm)

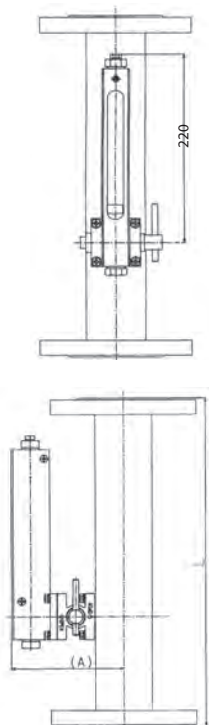
| DN  | L  | *A  | POM(KG) | 304(KG) |
|-----|----|-----|---------|---------|
| 10  | 50 | 137 | 0.3     | 2.5     |
| 15  | 50 | 140 | 0.4     | 2.7     |
| 20  | 50 | 145 | 0.52    | 2.8     |
| 25  | 50 | 150 | 0.7     | 3       |
| 32  | 50 | 165 | 0.95    | 4       |
| 40  | 50 | 170 | 1.1     | 5.4     |
| 50  | 50 | 178 | 1.3     | 6.1     |
| 65  | 50 | 190 | 1.6     | 7.3     |
| 80  | 50 | 195 | 1.75    | 9.3     |
| 100 | 50 | 200 | 2.0     | 10.3    |
| 125 | 50 | 220 | 2.5     | 11.3    |
| 150 | 50 | 240 | 3.1     | 14      |
| 200 | 50 | 270 | 4.2     | 15      |
| 250 | 50 | 295 | 5.1     | 16      |
| 300 | 50 | 320 | 6.0     | 17.5    |
| 350 | 65 | 350 | 7.0     | 19      |
| 400 | 65 | 380 | 8.0     | 21      |
| 450 | 65 | 405 | 9       | 23      |
| 500 | 65 | 432 | 10      | 25      |
| 600 | 65 | 492 | 11      | 28      |

A : if without valve, then A's length need reduce 52mm

AF: Flange type



(1) Material (SS304, polyformaldehyde)



AF External dimensions Unit: (mm)

| DN  | Material of measure pipe(304SS) |     |      |
|-----|---------------------------------|-----|------|
|     | L                               | *A  | KG   |
| 10  | 520                             | -   | -    |
| 15  | 520                             | -   | -    |
| 20  | 520                             | -   | -    |
| 25  | 520                             | -   | -    |
| 32  | 520                             | -   | -    |
| 40  | 520                             | 138 | 7.1  |
| 50  | 520                             | 143 | 8.5  |
| 65  | 540                             | 150 | 11.4 |
| 80  | 540                             | 157 | 12   |
| 100 | 540                             | 168 | 15.5 |
| 125 | 540                             | 180 | 20   |
| 150 | 540                             | 193 | 27   |
| 200 | 540                             | 218 | 35   |
| 250 | 540                             | 242 | 50   |
| 300 | 540                             | 268 | 61   |
| 350 | 540                             | 460 | 74   |
| 400 | 540                             | 510 | 93   |
| 450 | 540                             | 560 | 115  |
| 500 | 540                             | 610 | 130  |
| 600 | 540                             | 710 | 170  |

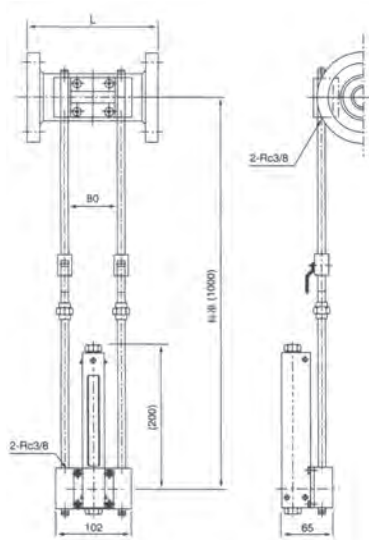
A : if without valve, then A's length need reduce 52mm

L 200mm is optional as special (DN10mm-80mm)  
L 300mm(DN100mm-600mm)is optional as special

# KF600 series

## Orifice Plate Flowmeters

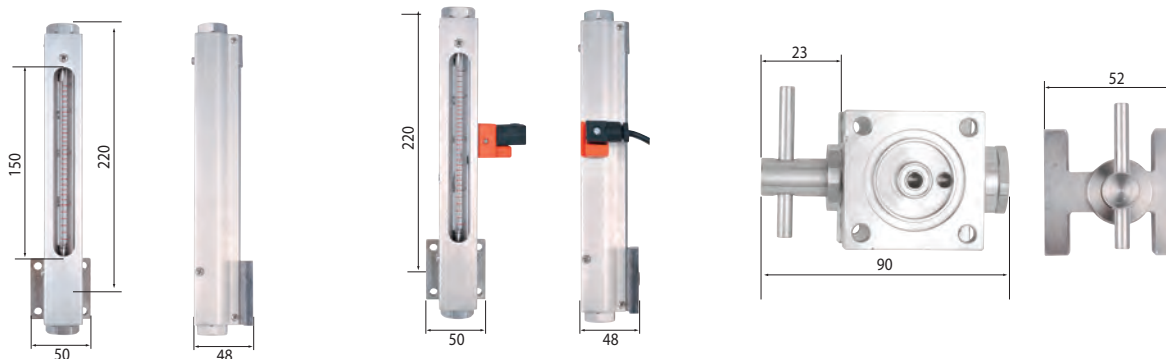
AD: Remote type



Local indicator 1 material (SS304)

With alarm switch indicator 3 material (SS304)

Valve material (SS304)



KF600

How to order

