

# Series MR FLOW METER

- Available for use with both water and air
- Flow tube and body molded of high-impact polycarbonate
- Precision adjusting valve for accurate, leak-free flow control

**Low Cost  
High Quality**



KEY INSTRUMENTS

# Series MR

## Flo-Rite Model MR3000

KEY INSTRUMENTS' MR3000 MOLDED FLOWMETERS ARE AVAILABLE IN 24 STANDARD RANGES IN BOTH SAE AND SI UNITS FOR AIR AND WATER. THESE UNITS ARE SUPPLIED WITH SCALES IN LPM OR SCFH AIR, AND CCM OR GPH WATER, ALL WITH 10:1 TURNDOWN RATIOS. THESE DIRECT-READING SCALES ARE ALSO AVAILABLE FOR OTHER GASES AND LIQUIDS.

MOLDED OF HIGH-IMPACT POLYCARBONATE, THE MR3000 IS DESIGNED TO OPERATE AT PRESSURES TO 100 PSIG AND TEMPERATURES TO 150°F. CONNECTIONS ARE MADE TO THE FLOWMETER THROUGH 1/8" FNPT INLET AND OUTLET FITTINGS. AN OPTIONAL INLET OR OUTLET CONTROL VALVE CAN BE SPECIFIED.

THESE ECONOMICALLY ENGINEERED UNITS HAVE BEEN DESIGNED TO PROVIDE THE HIGHEST QUALITY WITH PRECISION ACCURACY. WHEN PROPERLY INSTALLED AND MAINTAINED, THIS DURABLE POLYCARBONATE FLOWMETER WILL PROVIDE YEARS OF TROUBLE-FREE SERVICE.

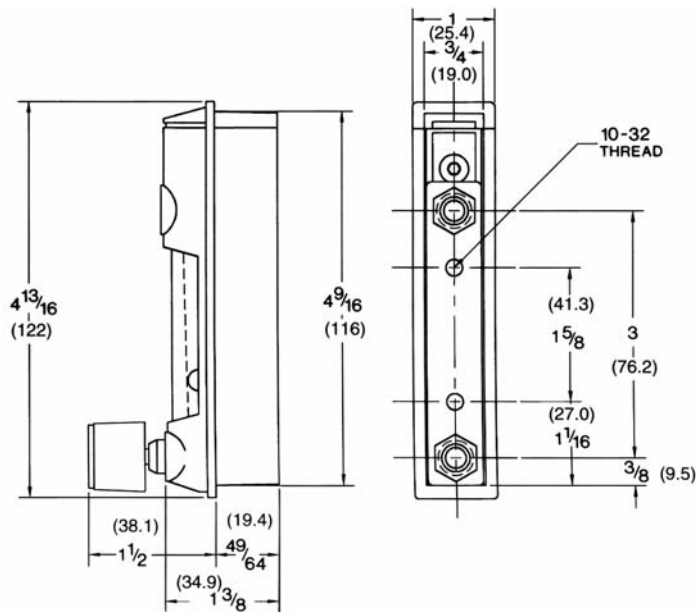
## MR FLOWMETER FEATURES

- MOLDED HIGH IMPACT POLYCARBONATE
- HIGH QUALITY CONSTRUCTION
- ECONOMY COMBINED WITH ACCURACY
- MONITOR OR CONTROL AIR AND WATER FLOWS
- FLOW RANGES: AIR 50 CCM TO 100 LPM  
WATER 4 CCM TO 40 GPH
- SUPPLIED WITH EASY-TO-READ 10:1 TURN DIRECT READING SCALES
- IDEALLY SUITED FOR O.E.M. APPLICATIONS
- STANDARD BLACK BODY, CUSTOM COLORS AVAILABLE UPON REQUEST

SERIES MR 'MOLDED RANGE' FLOW TABLE *			
RANGE SCFH AIR	MODEL CODE	RANGE LPM AIR	MODEL CODE
.1-1	3A00	.05-5	3A12
.2-2.5	3A01	.1-1.2	3A13
.4-5	3A02	.4-5	3A14
1-11	3A03	.2-2.5	3A23
2-22	3A04	1-10	3A15
4-60	3A06	2-30	3A16
10-110	3A07	4-50	3A17
20-200	3A08	10-100	3A18
GPH WATER		CCM WATER	
.2-2.5	3L28	4-50	3L09
.4-5	3L19	5-110	3L10
1-10	3L20	20-300	3L11
2-25	3L21		
4-40	3L22		

## SPECIFICATIONS

ACCURACY:	± 4% FULL SCALE
BODY & TUBE:	POLYCARBONATE
FLOATS:	BLACK GLASS, CARBIDE, STAINLESS STEEL OR ALUMINUM
TEMPERATURE:	150° F / 65° C MAXIMUM
PRESSURE:	100 P.S.I. MAXIMUM
FITTINGS:	BRASS OR STAINLESS STEEL
VALVE: (OPTIONAL)	BRASS OR STAINLESS STEEL CARTRIDGE TYPE
SEAL MATERIAL:	BUNA-N W/BRASS FITTINGS VITON® W/STAINLESS STEEL



\*Specifications subject to change without prior notification. Contact factory for latest data.

Viton® is a registered trademark of El Dupont

## ORDERING INFORMATION

MR	MODEL NUMBER FROM TABLE	FITTINGS	VALVE	SEALS
MR (EXAMPLE)	<b>3A07</b>	<b>B</b>	<b>V</b>	<b>BN</b>

### FITTINGS

B - Brass  
S - Stainless Steel

### VALVE

N - None  
V - Valve  
O - Outlet Valve

### SEALS

BN - BUNA-N  
VT - Viton®



# KEY INSTRUMENTS