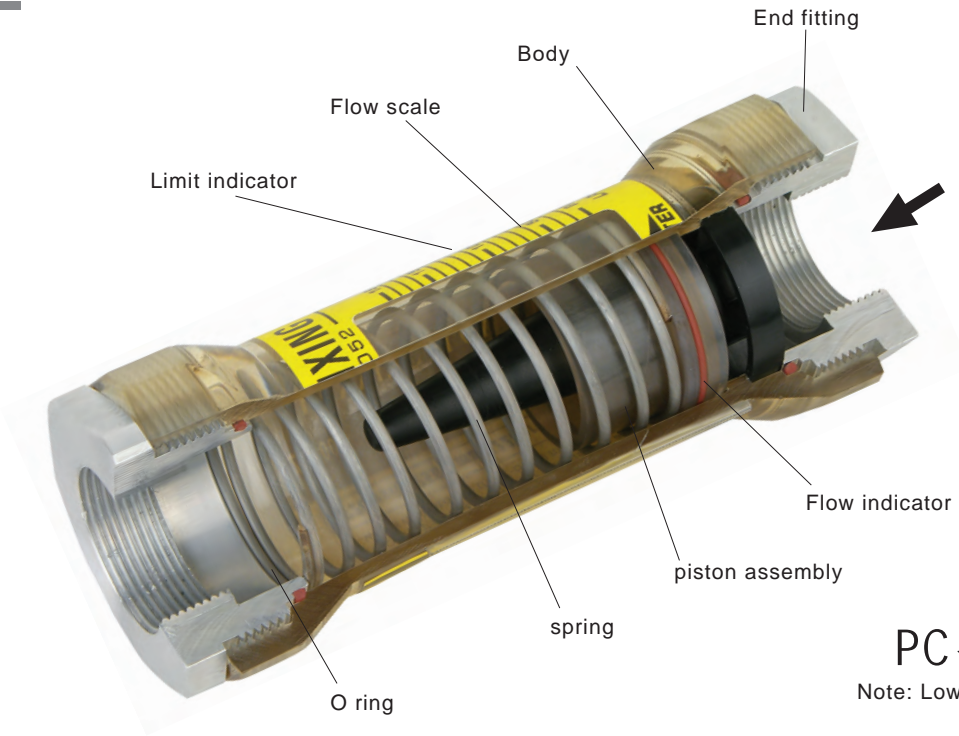
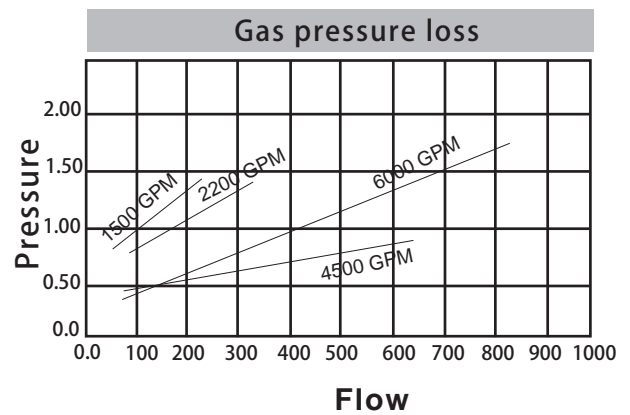
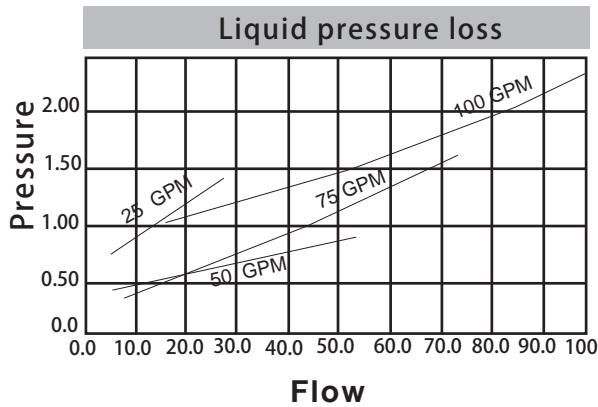
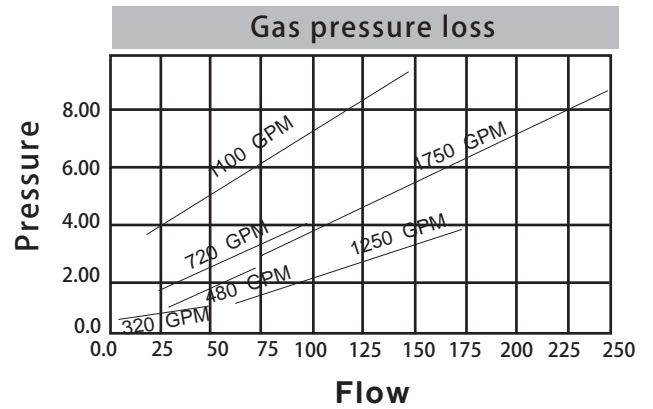
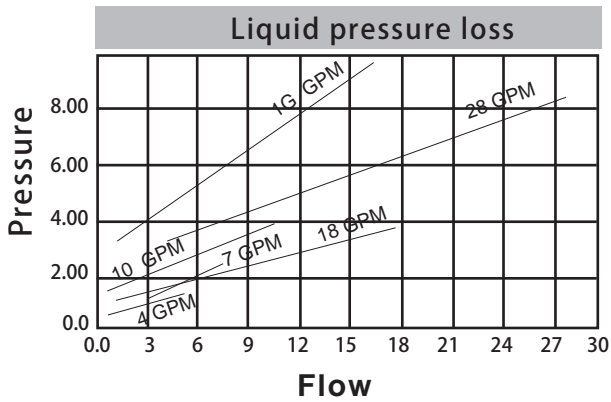


G



PC、PSU Body

Note: Low /high alarm switch is optional



Z-6000 Series

Pipeline Flowmeters(Mount In Any Position)

The main frame of the flow meter of this type is made of engineering plastics of high strength(PC Polycarbonate or PSU polysulfone),Injection molded, chemical resistant Polysulfone which is breaking-proof and corrosion-proof,Direct exposure to sunlight is not recommended and can be mounted in any position.It is capable of bearing high pressure,easy to read(the reading is red O-ring),and equipped with indicating device showing the high and low limit of the flow.

- Temperature limited: PC:0~60°C
PSU: 0~100°C
- Pressure limit: PC: 10Bar
PSU: 20Bar
- Accuracy: ±6%
- Alarm switch is optional



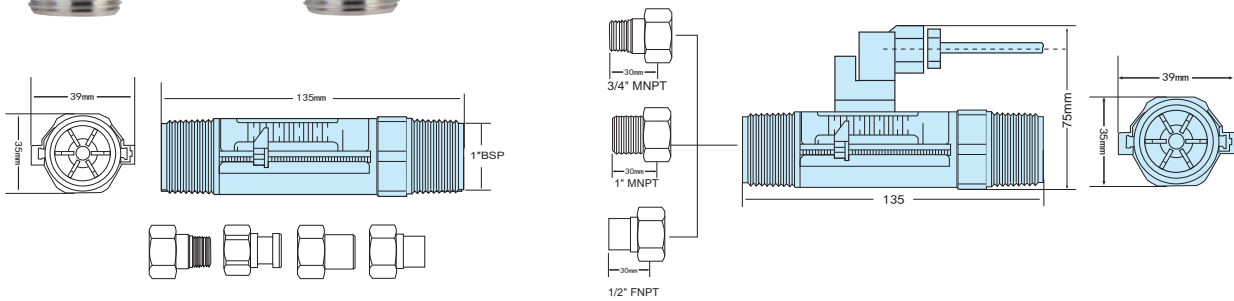
Specifications

Model	Measuring range				Thread	Weights (KG)
	Water		Air			
	GPM	LPM	GPM	LPM		
Z-6011	0.5~5	2~20	18~180	60~600	1/2"FNPT 3/4"MNPT 1"MNPT	0.4
Z-6012	1~7	3~25	20~200	70~700		
Z-6013	1~10	4~35	25~250	100~1000		
Z-6014	1~16	5~60	35~350	150~1400	3/4"FNPT 3/4"MNPT 1"MNPT	0.5
Z-6015	3~20	10~70	52~520	200~2000		
Z-6016	4~28	10~100	80~800	300~3000		

Z-60(Alarm switch type)

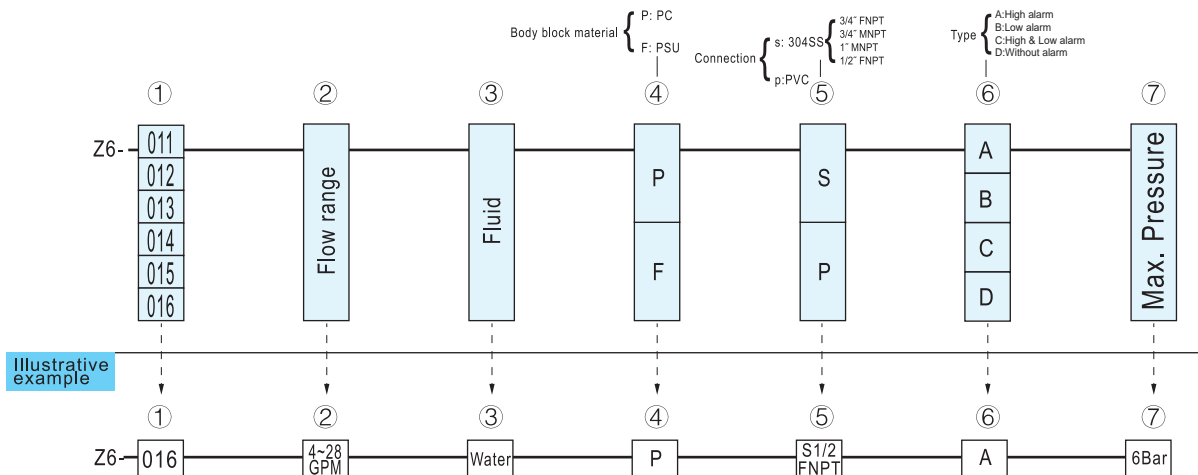
Model	Measuring range				Thread	Weights (KG)
	Water		Air			
	GPM	LPM	GPM	LPM		
Z-6011A	0.5~7	2~25	18~180	60~600	1/2"FNPT 3/4"MNPT	0.4
Z-6012A	0.5~9	2~35	20~200	70~700		
Z-6013A	1~13	3~50	25~250	100~1000		
Z-6014A	3~16	10~60	35~350	150~1400	3/4"FNPT 1"MNPT	0.5
Z-6015A	4~22	15~80	52~520	200~2000		
Z-6016A	5~28	20~100	80~800	300~3000		

Note: BSP is optional



Z-60

How to order



G

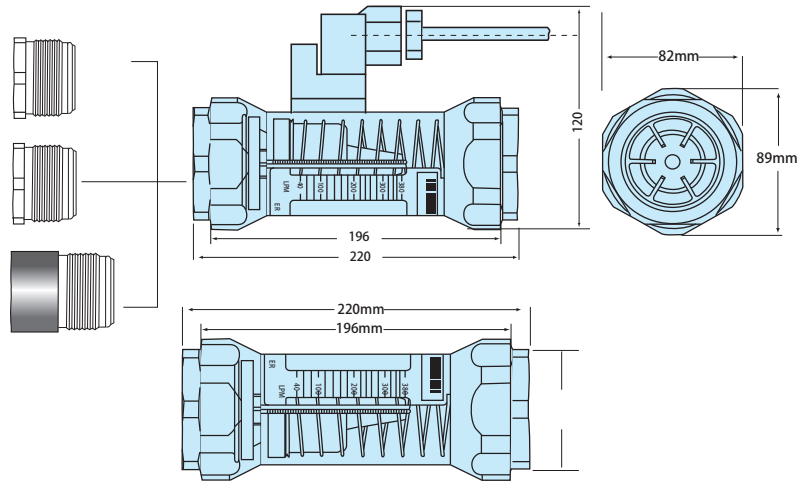
The main frame of the flow meter of this type is made of engineering plastics of high strength(PC Polycarbonate or PSU polysulfone),Injection molded, chemical resistant Polysulfone which is breaking-proof and corrosion-proof,Direct exposure to sunlight is not recommended and can be mounted in any position.It is capable of bearing high pressure,easy to read(the reading is red O-ring),and equipped with indicating device showing the high and low limit of the flow.

- Temperature limited: PC:0~60°C
PSU: 0~100°C
- Pressure limit: PC: 10Bar
PSU: 20Bar
- Accuracy: ±6%
- Alarm switch is optional

Z-65

Model	Measuring range		Thread (NPT)
	Water		
	GPM	LPM	
Z-6501	3~25	12~90	1½" Female
Z-6502	5~50	20~200	
Z-6503	8~80	30~300	2" Female
Z-6504	10~100	40~400	

Note: BSP is optional



Z-65

How to order

