

PISTON TYPE FLOW SWITCH

FS35R FS35RB– Stainless Steel + Brass Inner Parts
 FS35RS– Stainless Steel

Good Repeatability
Dirt-Resistance
High Switch Capability

The New-Flow FS35R Flow Switch for liquids or gaseous media with spring supported piston and magnetic actuation of a micro switch. Robust design, produced in materials brass or stainless steel.

Technical Data

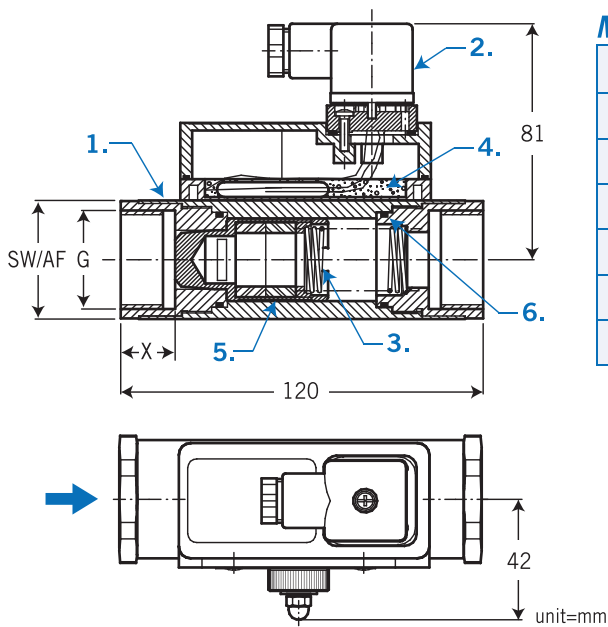
- Protection Class:** IP65
- Process Connection:** ¼" to 1" female, thread PF and NPT available
- Wetted Parts Material:** Brass or Stainless Steel
- Micro Switch:** Rating 3A/250VAC, 5A/125VAC
- Conduit Connection:** DIN43 650 / EN 175301-803
- Accuracy:** ±5% of Full Scale
- Temperature Limited:** Max. 120°C
- Pressure Limited:** Average pressure loss 0.5 Bar at Qmax
- Hysteresis:** Depending on switch value from 15~20% F.S.



Approvals:



Dimensions



Material List

ITEM	Parts Name	FS35RB	FS35RS
1.	Body	Stainless Steel 316	Stainless Steel 316
2.	Switch Head	Polycarbonate	Polycarbonate
3.	Spring	Stainless Steel 316	Stainless Steel 316
4.	Magnet	Bariumferrite	Bariumferrite
5.	Piston	Brass	Stainless Steel 316L
6.	Seal	Viton	Viton

Flow Rate Table

(W) Water:

Model	Size	PN	Qmax. Recom. (L/Min H ₂ O)	Adjustable Range (L/Min H ₂ O)			AF (mm)	X (mm)	Weight (KG)
FS35RB & FS35RS	¼"	200 bar	10	0.5~5	1~10		40	15	1.3
	⅜"	200 bar	20	0.5~5	1~10	1.8~18	40	15	1.3
	½"	200 bar	40	1.6~16	2~20	3.5~35	40	15	1.2
	¾"	200 bar	60	2~20	4~40	6~60	40	18	1.2
	1"	200 bar	80	2~20	4~40	6~60	40	18	1.1

(O) Oil:

Model	Size	PN	Qmax. Recom. (L/Min H ₂ O)	Adjustable Range (L/Min)			AF (mm)	X (mm)	Weight (KG)
FS35RB & FS35RS	¼"	200 bar	10	0.5~5	0.8~8	1~10	40	15	1.3
	⅜"	200 bar	20	1~10	1.5~15	2~20	40	15	1.3
	½"	200 bar	40	2~20	2.5~25	4~40	40	15	1.2
	¾"	200 bar	60	2.5~25	5~50	6~60	40	18	1.2
	1"	200 bar	80	2.5~25	5~50	6~60	40	18	1.1

NOTE.
 Adjustable range is indicated for horizontally decreasing flow.

